

INSTALLATION INSTRUCTIONS FOR INSTALLING A SPIRAL INSERT INSTALLATION KIT IN A NATIONAL VENDORS®, CROWN SEVENTY TWO®, 141 SHOWCASE MERCHANDISER

These instructions cover the procedure for installing a Spiral Insert Installation Kit in a Crown Seventy Two, 141 Showcase Merchandiser.

Read these instructions carefully and thoroughly before installing the Kit. Retain these instructions for part number and installation information.

Kit, Part Number 141-7025, contains the following parts:

Part Number	Description	Quantity
141-7023	Spiral Insert	1
141-7024	Spiral Insert Holder	1
141-7026	Installation Instructions	1
	* * *	

NOTE

This Kit is to be used on the larger Snack Tray Spirals only.

1. Unlock and open the Cabinet Door.
2. Remove the product from the Snack Tray Spiral that is to receive the Spiral Insert.
3. Remove two of the Screws attaching the Snack Tray Label Holder that is in front of the Snack Tray Spiral. See Figure.
4. Place the Spiral Insert, Part Number 141-7023, included in the Kit, in the Snack Tray Spiral.
5. Attach the Spiral Insert Holder, Part Number 141-7024, included in the Kit, to the Snack Tray using the two Screws removed in Step 3. Fit the lip of the Spiral Insert Holder in the notch of the Spiral Insert.

6. Install the product back in the Snack Tray Spiral.
7. Close and lock the Cabinet Door.
8. Test vend the Merchandiser.

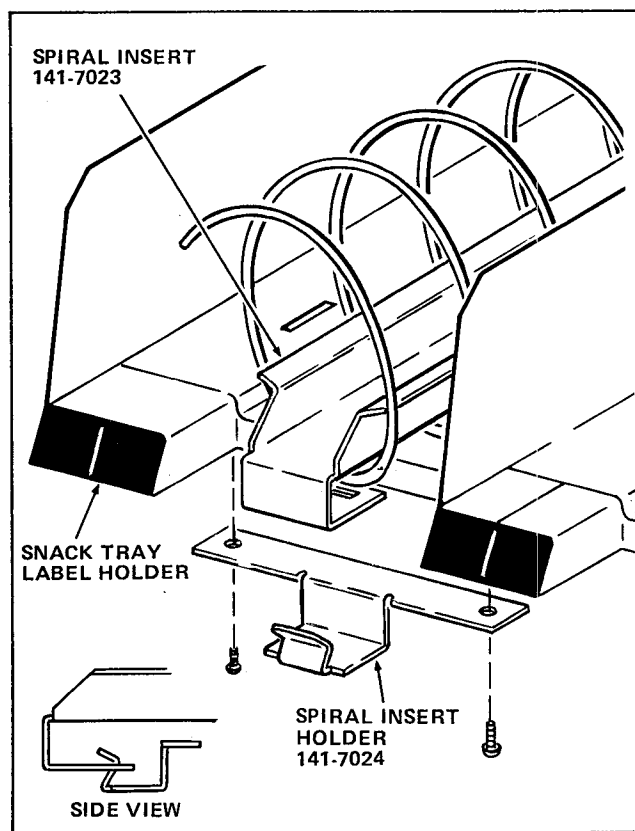


FIGURE 1